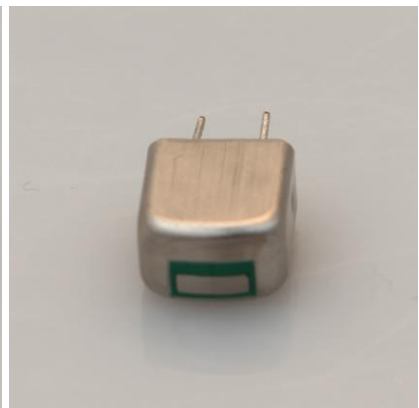
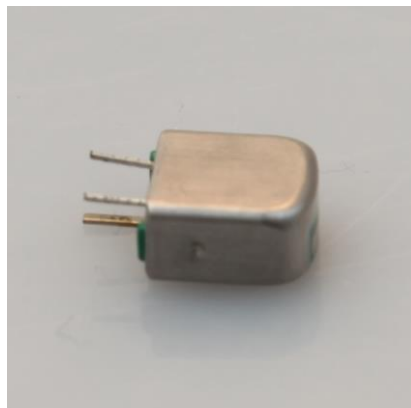
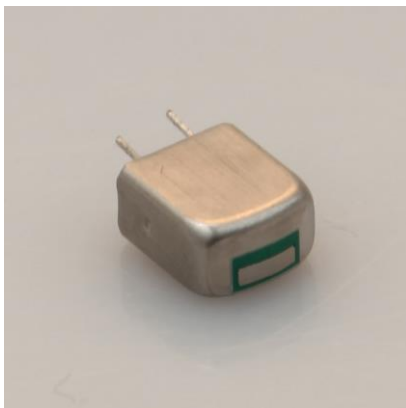
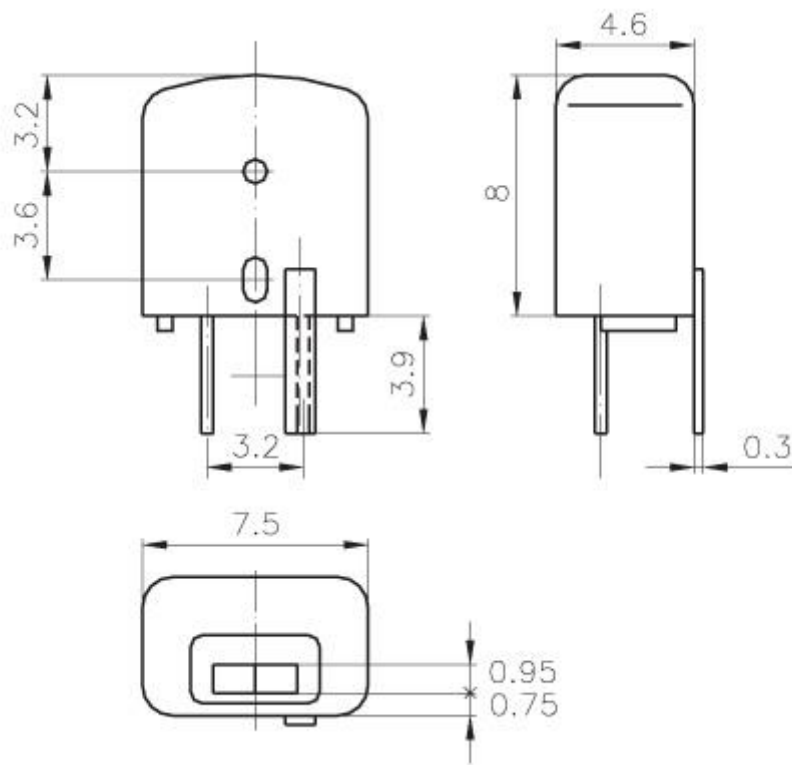


# Magnetic Heads 0351

## Mágnesejek Magnetköpfe

Type / Típus / Typ: 0351



<b>For cass. tape</b>		
Function / monó /		recording/play-back
Inductance ( 10 kHz, 50 mV )	mH	40±20%
Play-back with BASF IEC 94/2 reference tape		
Measuring frequency	Hz	6.3 k, 315
Sensitivity ( 315 Hz )	μV	min.:215
Frequency response (6.3k / 315 Hz )	dB	min.:4
Measuring the recording and play-back funktion with IEC (R723DG) tape from BASF		
Bias frequency	kHz	28
Bias current	μA	550±30%
Recording current ( 1 kHz )	μA	180
Sensitivity ( 315 Hz )	μV	min.:140
Rec. and play-back freq. response ( 6.3k / 315 Hz )	dB	min.: 0
Totally harmonic distortion ( 1 kHz )	%	max.:11
Insulation resistance ( 250 V DC )	MΩ	min.:10
Resistance between magn. core and case ( 5 V DC )	kΩ	max.:50
Tape speed	cm/s	4.75
Pole material		Recovac BS