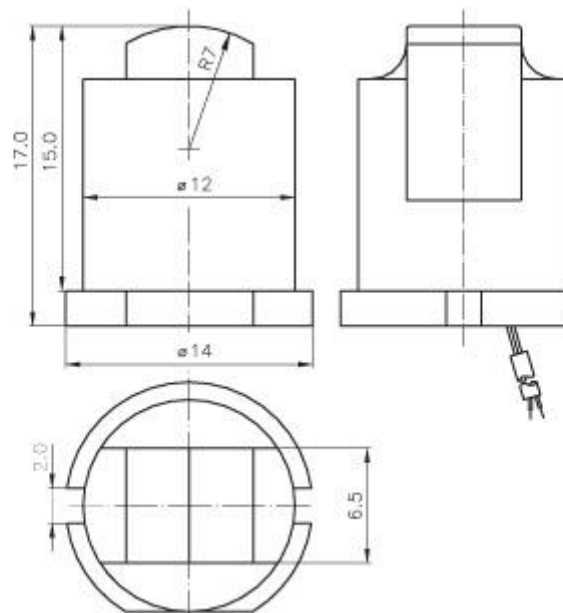


# Magnetic Heads 1CW 055

## Mágnesejek Magnetköpfe

Type / Típus / Typ: 1CW 055



<b>Function</b>		<b>writing</b>
Inductance ( 1kHz, 50 mV )	mH	70±20 %
D.C. resistance	Ω	75±20 %
Current intensity	mA	10
Useable material		3M777
Tape speed	m/s	0,68
Gap width	μm	30
Pole material		Ferrit