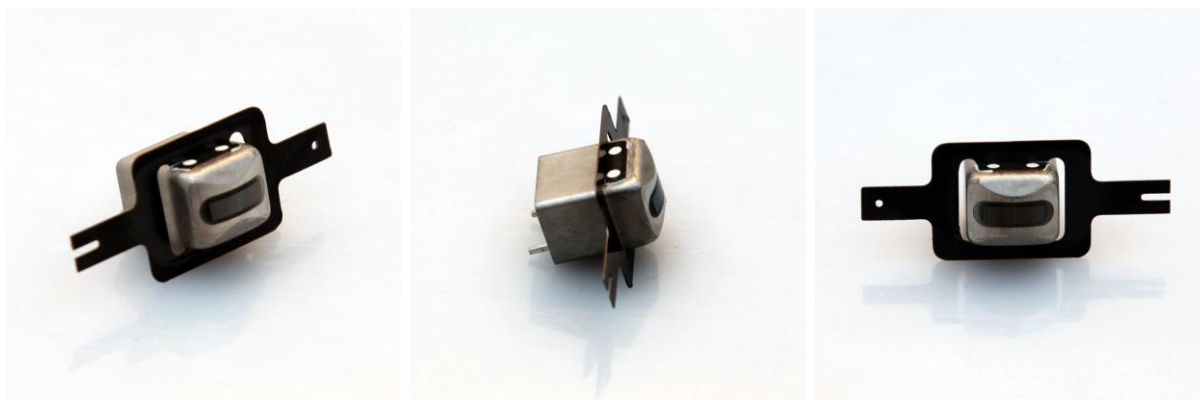
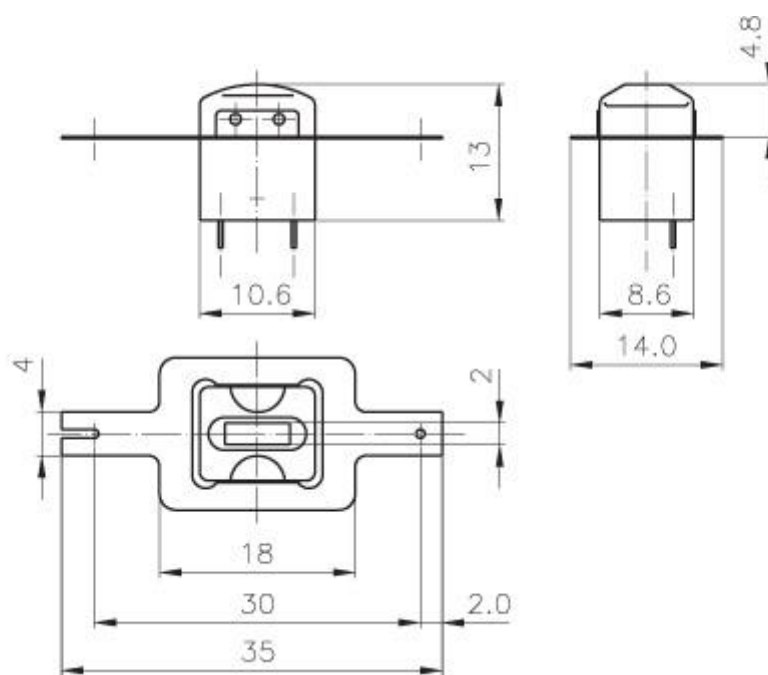


Magnetic Heads 1MR 056

Mágnesfejek Magnetköpfe

Type / Típus / Typ: 1MR 056



Function		reading
Inductance (1kHz)	mH	45±20%
D.C. resistance	Ω	70±15 %
Reading voltage (p-p)	mV	16
Useable material		3M777
Tape speed	cm/s	19
Gap width	μm	10
Pole material		Ferrit