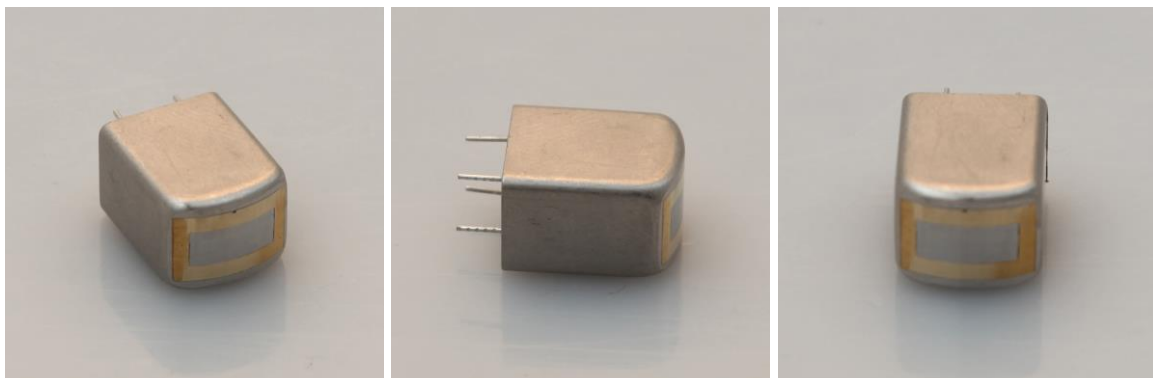
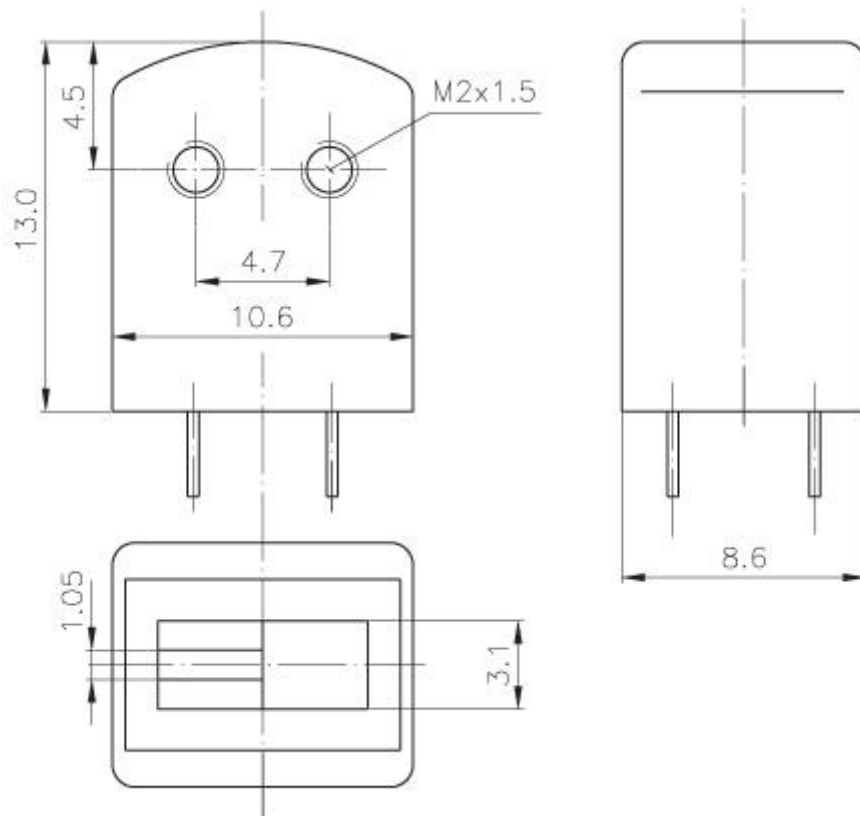


Magnetic Heads 1R/W 053

Mágnesejek Magnetköpfe

Type / Típus / Typ: 1R/W 053



For cards with HICOSHEET		
Function		writing / reading
Inductance (író)	mH	1,6±30 %
Inductance (olvasó)	mH	180±25 %
D.C. resistance (writing)	Ω	2,6±35 %
D.C. resistance (reading)	Ω	220±20 %
Writing current (p – p)	mA	400
Reading voltage (p – p)	mV	min.: 15
Useable material		3M5203
Insulation resistance (DC 100 V)	MΩ	min.:10
Rate of transmission	mm/s	190
Pole material		Vacoflux