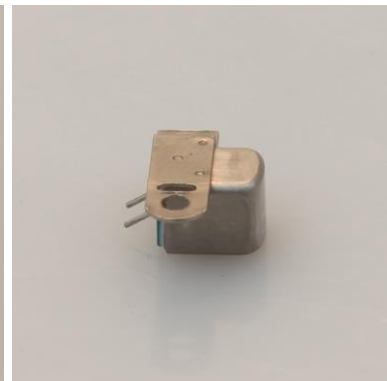
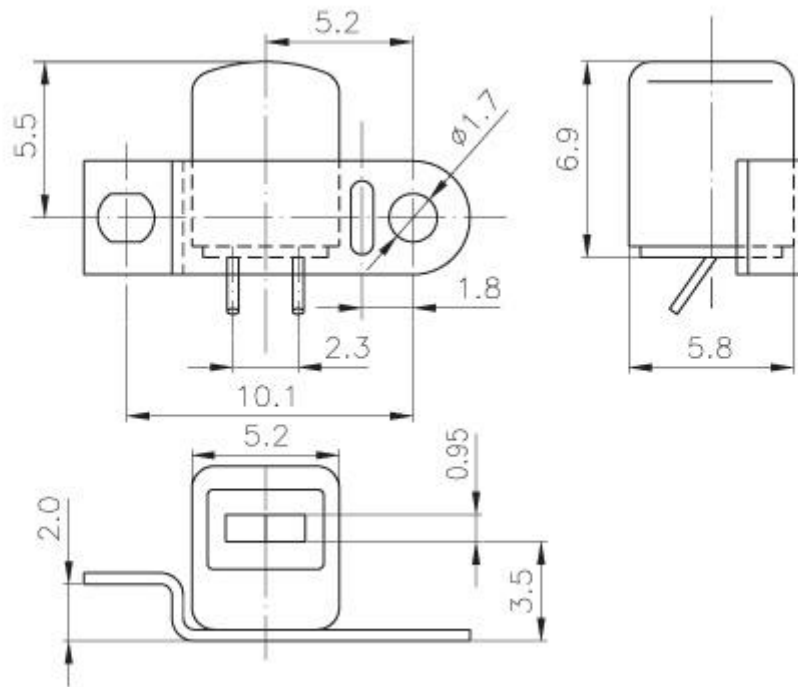


Magnetic Heads 311

Mágnesejek Magnetköpfe

Type / Típus / Typ: 311



For cass. tape		
Function / monó /		recording/play-back
Impedance (1 kHz)	Ω	1050±25 %
Impedance (35 kHz)	Ω	18 k±30 %
DC resistance	Ω	410±15 %
Inductance	mH	140±25 %
Play-back with BASF IEC 94/2 reference tape		
Sensitivity (1 kHz)	μ V	950±2 dB
Frequency response (6,3/1 kHz)	dB	2±3
Tape speed	cm/s	4.75
Measuring the recording and play-back funktion with IEC (R723DG) tape from BASF		
Bias voltage	V	7,7±30 %
Bias current	μ A	350±30 %
Recording current	μ A	90±5 %
Sensitivity (1 kHz)	μ V	950±2 dB
Frequency response (3,15 kHz / 1 kHz)	dB	-6±3,0
Totally harmonic distortion (333 Hz)	%	max.:10
Magnetic screening (70 A/M, 125 Hz)	mV	5
Earth resistance	Ω	max.:5
Insulation resistance (DC 250 V)	M Ω	min.:50
Tape speed	cm/s	2.38
Pole material		Permalloy