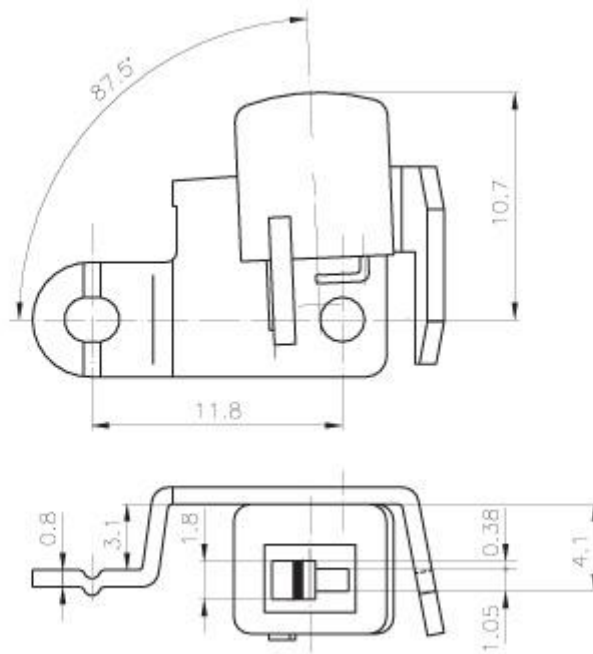


Magnetic Heads 812

Mágnesfejek Magnetköpfe

Type / Típus / Typ: 812



For cass. tape		
Function / mono /		recording/play-back/erase
Inductance, Kombi side (1kHz, 50 mV)	mH	140±25 %
Inductance, Erase side (1kHz, 50 mV)	mH	10±25 %
Impedance, Kombi side (1kHz, 50 mV)	Ω	1200±30 %
Impedance, Erase side (30 kHz, 5 V)	kΩ	23±30 %
DC Resistance, Kombi side (DC 2 V)	Ω	300±10 %
DC Resistance, Erase side (DC 2 V)	Ω	140±10 %
Play-back with BASF IEC 94/2 referency tape		
Measuring frequency	kHz	6,3 k / 1 k
Sensitivity	μV	900±2 dB
Frequency response	dB	2±3
Tape speed	cm/s	4.75
Measuring the recording/play-back function with BASF IEC (R723 DG) measuring tape		
Bias current AC	μA	400±30 %
Recording current	μA	90
Sensitivity (1 kHz)	μV	750±2 dB
Frequency response (3,15 kHz / 1 kHz)	dB	-6±3
Totally harmonic distortion (315 Hz)	%	max.:11
Magnetic shielding (70 A/M, 125 Hz)	mV	max.:5
Erase		
Erase current DC	mA	16±20 %
Tape speed	cm/s	2.38
Erase damping (1 kHz)	dB	min.:50
Earth resistances (5 V DC)	kΩ	max.:50
Insulation resistance (250 V DC)	MΩ	min.:1
Pole material		Recovac