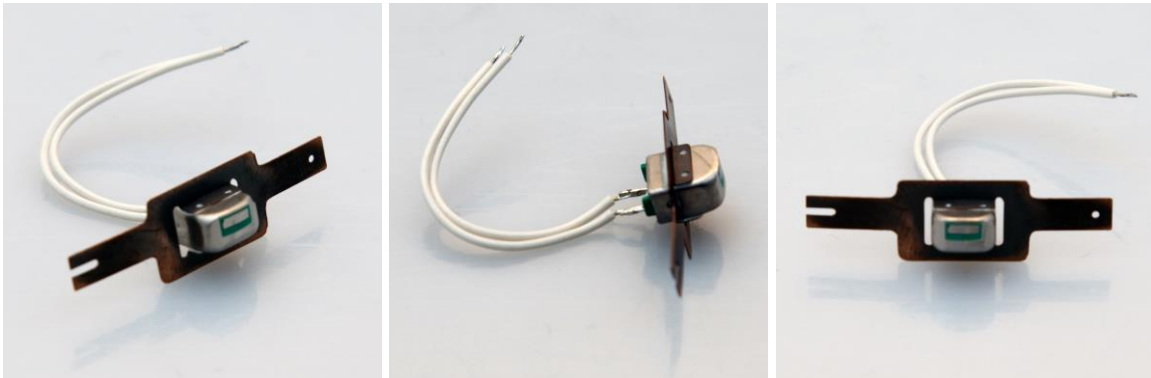
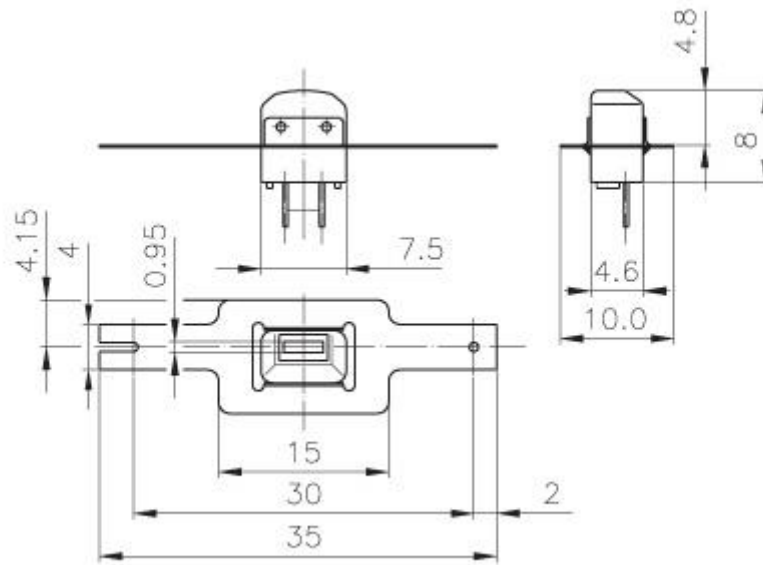


Magnetic Heads MMK 11

Mágnesejek Magnetköpfe

Type / Típus / Typ: MMK 11



| Function | | reading |
|-------------------------|------|-----------------------|
| Inductance (1kHz) | mH | 45±20% |
| D.C. resistance | Ω | 300±15% |
| Reading voltage (p-p) | mV | 16 |
| Useable tape | | 3M777 |
| Tape speed | cm/s | 19 |
| Gap width | μm | 10 |
| Polmaterial | | Recovac BS or ferrite |